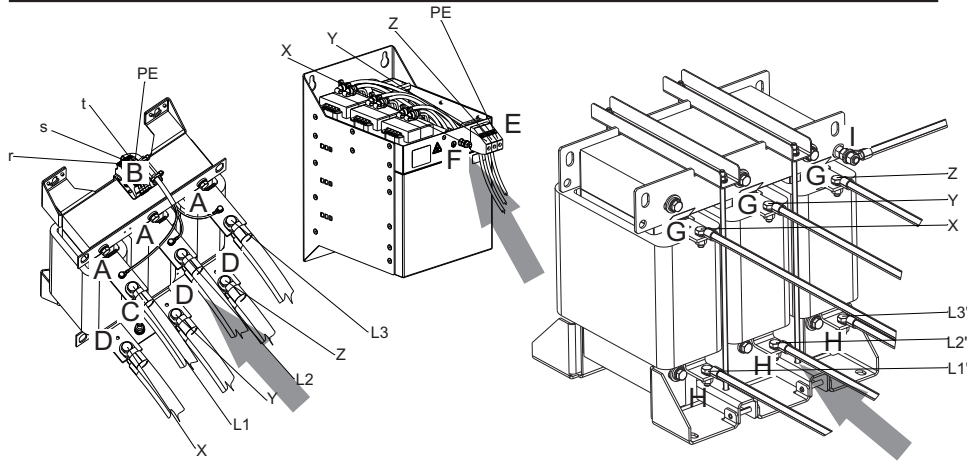


## Electrical installation



For choosing conductor cross section, cable style and detailed wiring, read latest version of Yaskawa D1000 technical manual



**connect wiring on this terminal and busbar side!**

terminal size and tightening torque

LCL-filter type	A		B		C		D	
B84143... G0410S176	POWER SUPPLY terminal size mm <sup>2</sup>		D1000 voltage detection terminal size mm <sup>2</sup> torque Nm		PE filter frame bolt size torque Nm		10% choke module terminal size mm <sup>2</sup>	
3% choke module	busbar		2.5 0.4...0.8		M8 6±0.3		busbar	
LCL-filter type	E		F		G		H	I
B84143... G0410S176	Capacitor box terminal size mm <sup>2</sup> torque Nm		PE filter frame bolt size torque Nm		Capacitor box terminal size mm <sup>2</sup> torque Nm		3% choke module terminal size mm <sup>2</sup>	PE filter frame bolt size torque Nm
capacitor box module	16 2...2.3		M6 3±0.15		16 2...2.3		busbar	M12 12±1
B84143... G0410S176	16 2...2.3		busbar		M12 12±1			



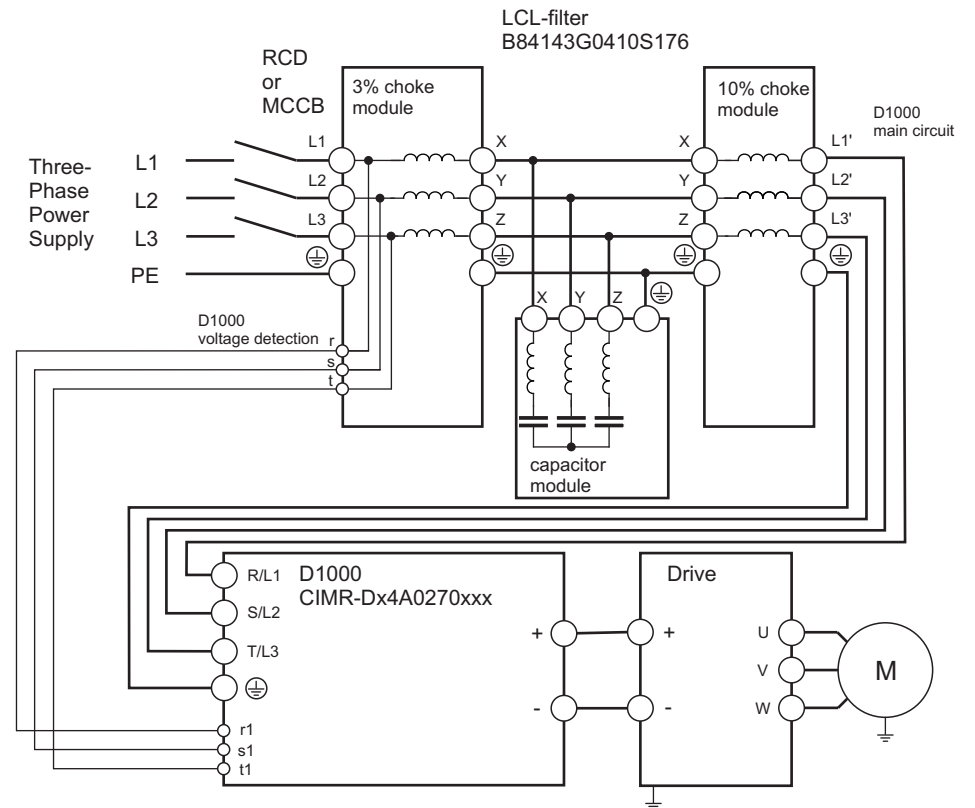
**Reading and understanding „Cautions and warnings“ as well as „important notes“ in the latest datasheet version of the dedicated LCL-filter is mandatory before installation!**

## Installation guide

### Characteristics

$I_R$	terminal cross section LINE/LOAD mm <sup>2</sup>	terminal cross section voltage detection mm <sup>2</sup>	$R_{typ}$ mΩ	Approx. weight kg	LCL-filter type	Converter type CIMR-
A						
410	busbar	2.5	1.3	220	B84143G0410S176	Dx4A0270xxx

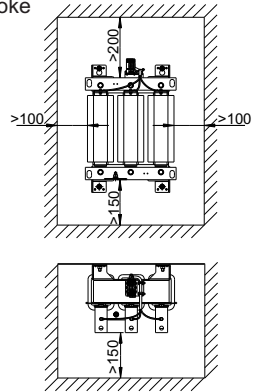
### Standard connection diagram



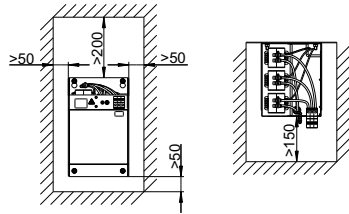
# Mechanical installation

## convection space

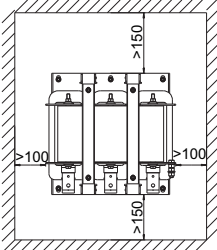
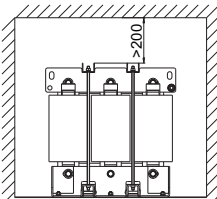
### 3% choke



### Capacitorbox

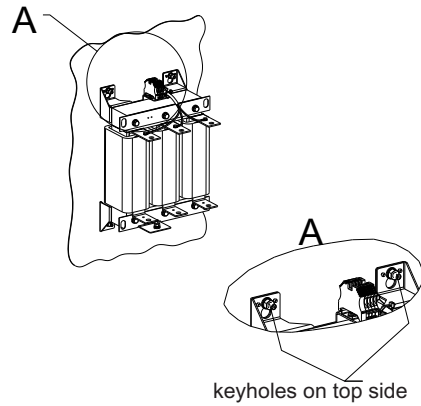


### 10% choke

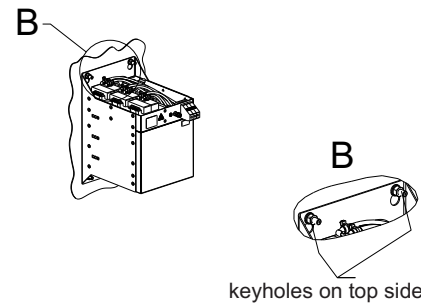


## mounting direction

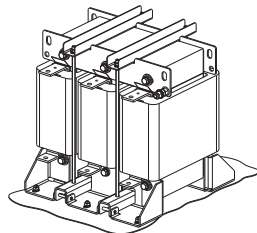
### 3% choke with capacitors



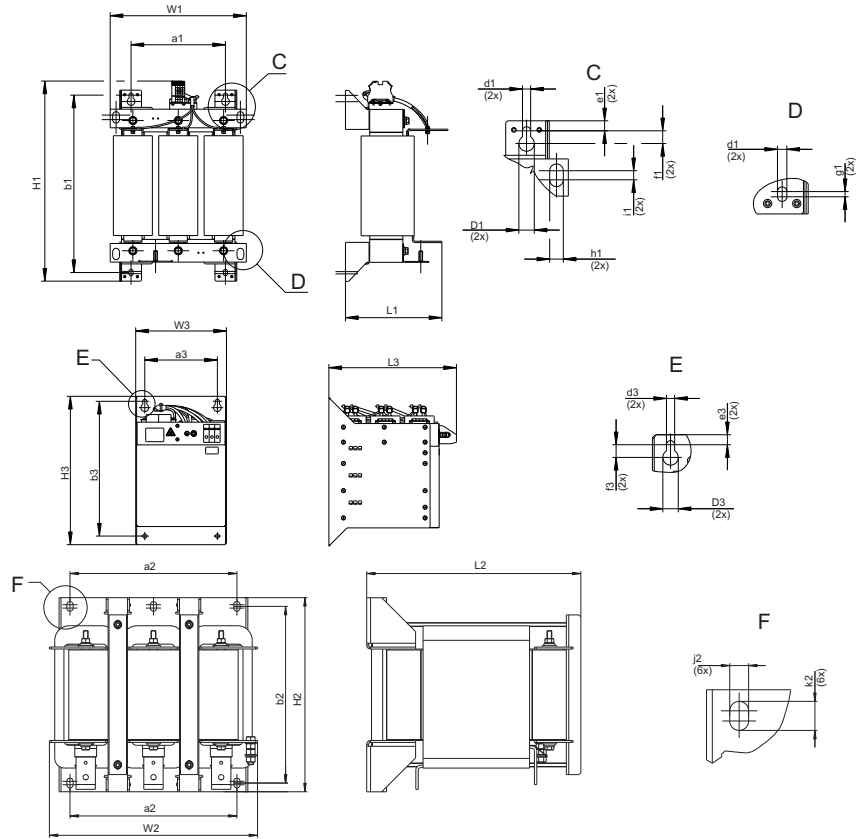
### Capacitorbox



### 10% choke



## dimensions



LCL-filter B84143...	L1 ±3	W1	H1 ±2.5	d1	D1	a1	b1 ±2.5	e1	f1	g1	h1	i1	L2 max.	W2 max.	H2 max.	j2	k2	a2	b2
...G0410S176	218	300	441	9	17	208	390	11	14	5	15	10	450	430	401	15	25	345	365
LCL-filter B84143...	L3	W3	H3	d3	D3	a3	b3	e3	f3										
...G0410S176	281	200	327	9	17	160	297	11	14										

Tightening torque for fixing screws:

For standard screw connection to the filter attachment it is referred to state-of-the-art solutions, as the tightening torques depend on the nominal size, length, strength class, corrosion protection and lubricants